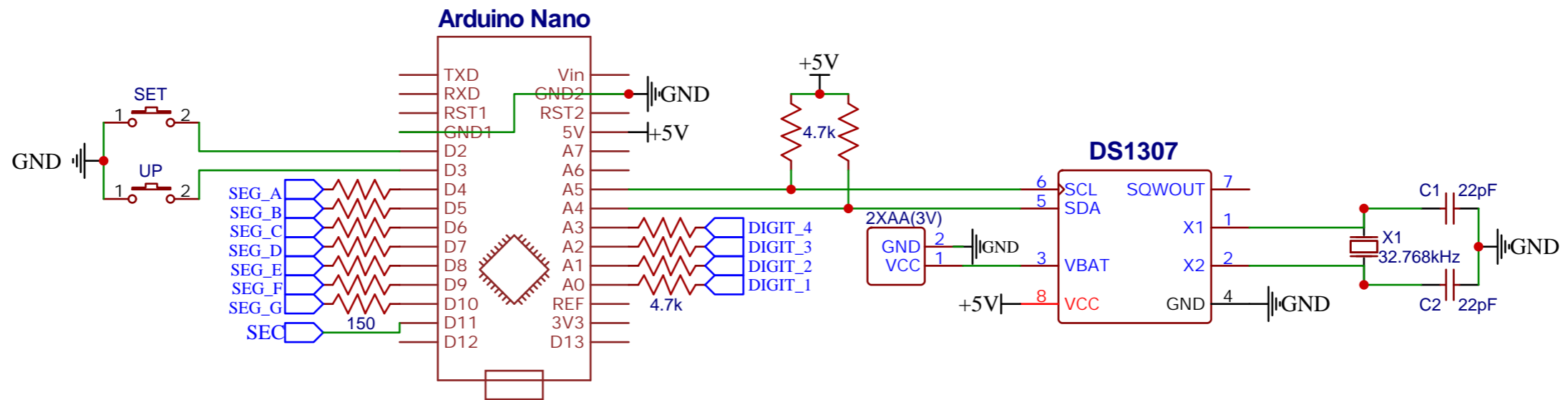
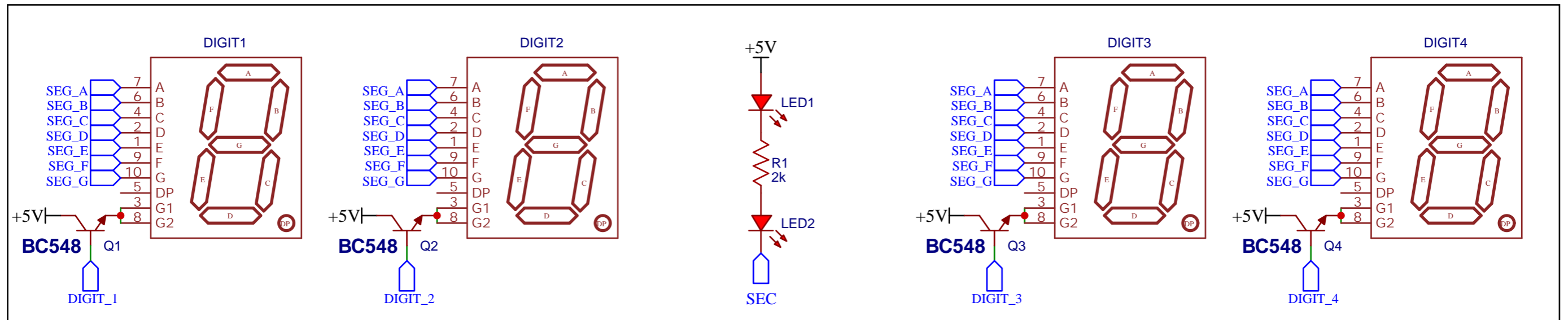
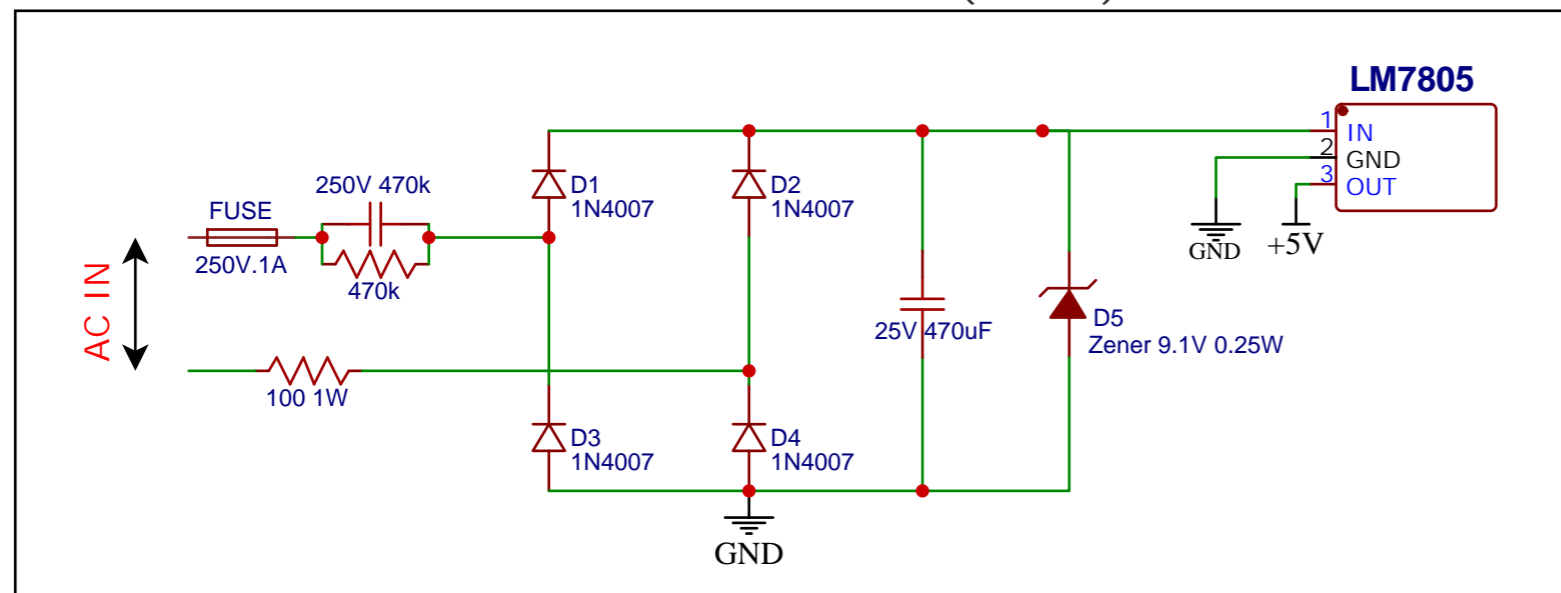



DISPLAY



POWER SUPPLY : 230V AC - 5V(30mA) DC



TITLE:	DIY Digital Clock	REV: 1.0
	Company:	Sheet: 1/1
	Date: 2020-10-16	Drawn By: Pa1Tech